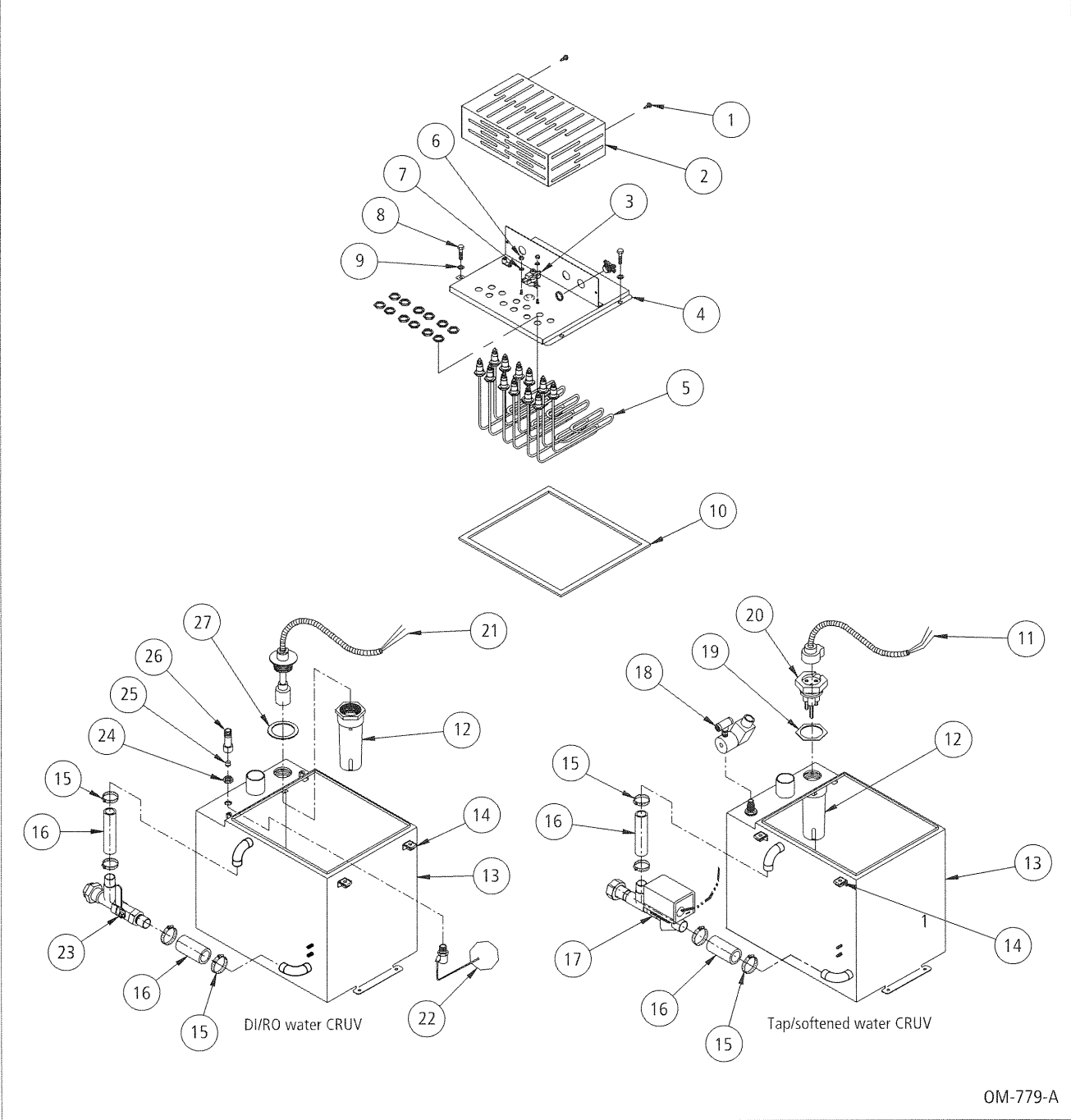


# Replacement parts: CRUV Humidifier

Figure 42-1:  
CRUV replacement parts



OM-779-A

## Replacement parts: CRUV Humidifier

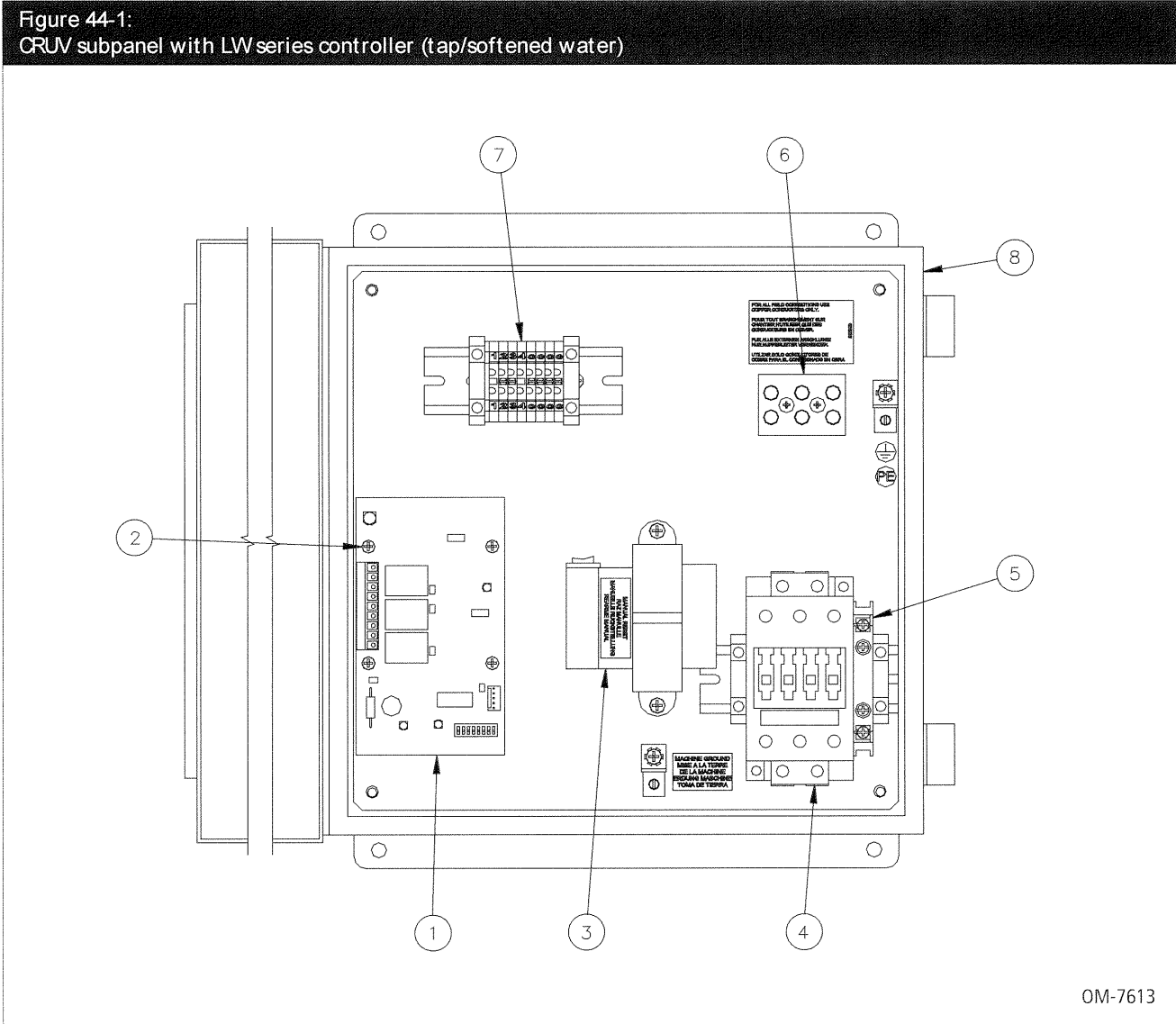
**Table 43-1:  
Replacement parts**

Item	Description	Qty	Part No.	Item	Description	Qty	Part No.
1	Phillips head screw, #8-32 x 1/2"	2	700170-007	15	Hose clamp, 3/4"	4	700560-075
2	Heater terminal cover	1	*	16	Hose, 3/4" ID	1	307020-002
3	Thermo cut-out	1	409560-001	17	Electric valve, 24V 3/4"	1	505400-001
4	Tank cover	1	*	18	Solenoid valve, 24V with flying leads, 1/4"	1	505084
5	Heater element	*	409600-*	19	Probe assembly gasket	1	309750-003
6	Hex nut plated, #8-32	4	700200-002	20	Probe assembly (CRUV 2-4)	1	406270
	Hex nut plated DI, #8-32	6	700200-002		Probe assembly (CRUV 6-34)	1	406275
7	External tooth washer plated, #8	2	700200-003	21	Float switch assembly	1	*
8	LG phillips head bolt, 1/4-20 x 1"	4	700300-013	22	Float assembly	1	505310
9	Lock washer, 1/4"	4	700351-025	23	Ball valve assembly, 1/2" SST	1	505000-003
10	Cover to tank gasket	1	*		End of season drain valve assembly (not shown)	1	505086-003
11	Probe assembly with conduit and fitting	1	406050-100	24	Seal ring, 1/4" 18 pipe thread 303 SST	1	306365
12	Nylon probe housing	1	308500	25	Orifice, .041 fill models (CRUV 4-16)	1	160229-041
13	Tank weldment	1	*		Orifice, .052 fill models (CRUV 21-34)	1	160229-052
14	Nut assembly, 1/4"-20 (CRUV 2-4)	4	700650	26	Pipe weld, fill valve	1	160215
	Nut assembly, 1/4"-20 (CRUV 6-34)	2	700650	27	Probe assembly gasket	1	309750-004

\* Specify humidifier model and serial numbers when ordering replacement parts.

## Replacement parts: CRUV subpanel with LW series controller

Figure 44-1:  
CRUV subpanel with LW series controller (tap/softened water)



OM-7613

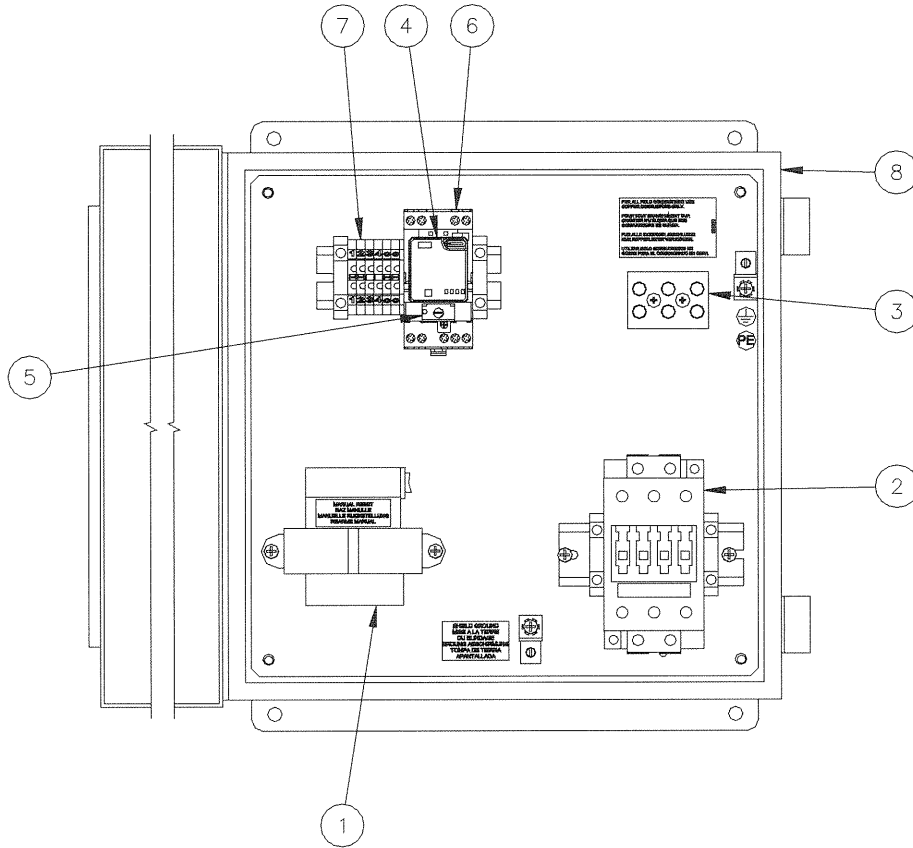
## Replacement parts: CRUV subpanel with LW series controller

**Table 45-1:**  
CRUV subpanel with LW series controller (tap/softened water)

Item	Description	Qty	Part No.
1	Board, level control, 24V, LW-417	1	408632
2	Standoff, metal 1/4" x 3/8" (#8)	4	409592
3	Transformer, 600V, 24 VAC, Sec, 75 VA *	1	408986
	Transformer, 277V, 24 VAC, Sec, 75 VA *	1	408982
	Transformer, 120/208/240/480V, 24V Sec *	1	408965-001
4	Contact, 55A (Siemens) *	1	407010-002
	Contact, 35A (Siemens) *	1	407010-001
5	Switch, auxiliary	1	407001-023
6	Power block, 3 pole	1	408300-002
7	Terminal, 20A DIN rail mount	*	408252-001
8	Enclosure, JIC, 16" x 14" x 6" (406 mm x 356 mm x 152 mm) *	1	407100-005
	Enclosure, NEMA-4, 16" x 14" (406 mm x 356 mm), (optional) *	1	408150-003
* Specify humidifier model and serial numbers when ordering replacement parts.			

# Replacement parts: CRUV subpanel with time delay and relay

Figure 46-1:  
CRUV subpanel with time delay and relay (DI/RO water option)



OM-7612

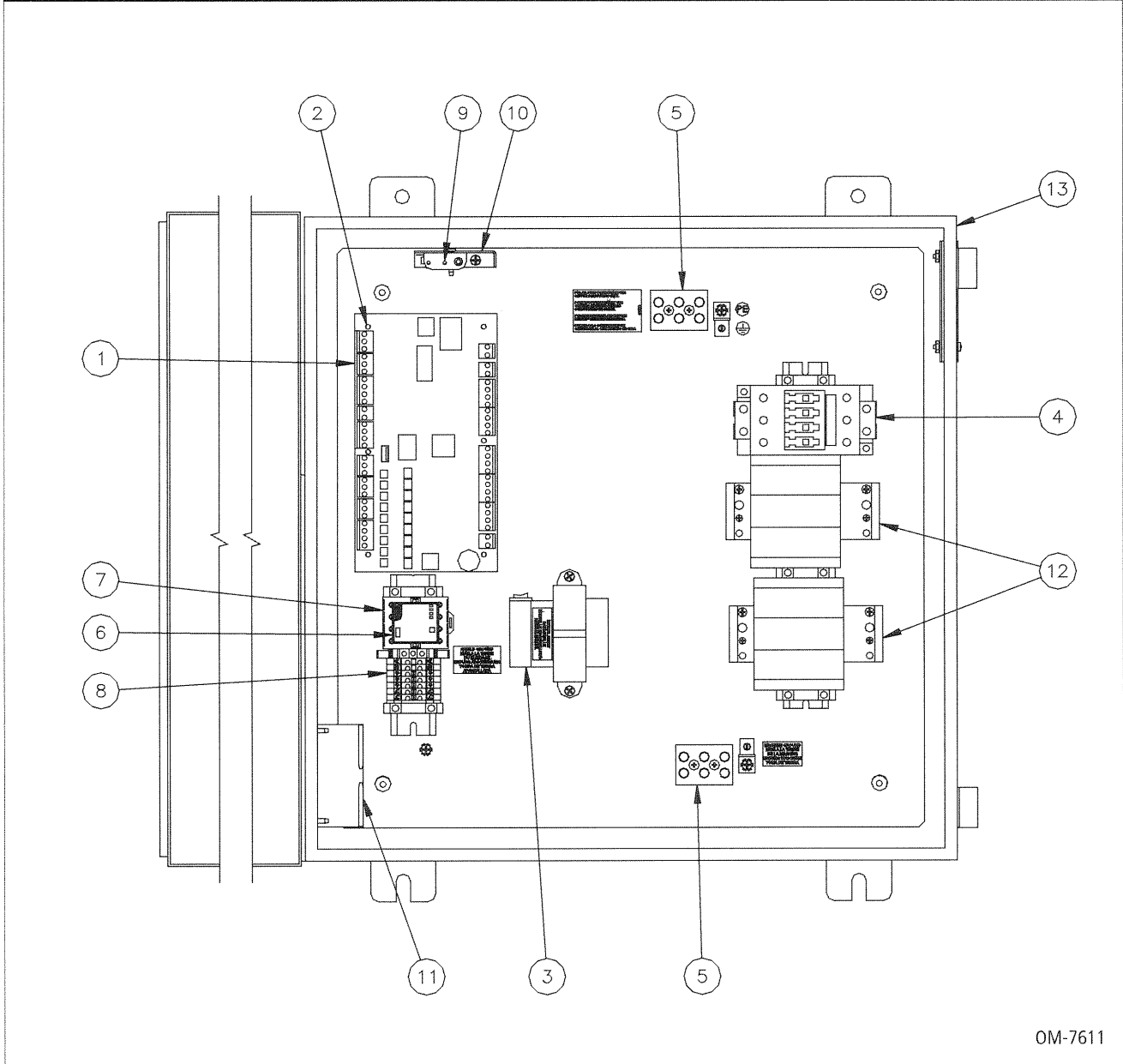
## Replacement parts: CRUV subpanel with time delay and relay

**Table 47-1:**  
CRUV subpanel with time delay and relay (DI/RO water option)

Item	Description	Qty	Part No.
1	Transformer, 600V, 24 VAC Sec 75 VA *	1	408986
	Transformer, 277V, 24V Sec, 75 VA *	1	408982
	Transformer, 120/208/240/480V 24V Sec *	1	408965-001
2	Contact, 55A (Siemens) *	1	407010-002
	Contact, 35A (Siemens) *	1	407010-001
3	Power block, 3 pole	1	408300-002
4	Relay, 24V DPDT, finder	1	407900-016
5	Time delay, finder	1	407900-023
6	Relay socket, DPDT, with time delay	1	407900-020
7	Terminal, 20A, DIN rail mount	*	408252-001
8	Enclosure, JIC, 12" x 12" x 6" (305 mm x 305 mm x 152 mm) *	1	408150-002
	Enclosure, NEMA-4, 12" x 12" x 6" (305 mm x 305 mm x 152 mm), (optional) *	1	407100-004
* Specify humidifier model and serial numbers when ordering replacement parts.			

## Replacement parts: CRUV subpanel with Vapor-logic4 option

Figure 48-1:  
CRUV subpanel with Vapor-logic4 option



OM-7611

## Replacement parts: CRUV subpanel with Vapor-logic4 option

**Table 49-1:  
CRUV subpanel with Vapor-logic4 option**

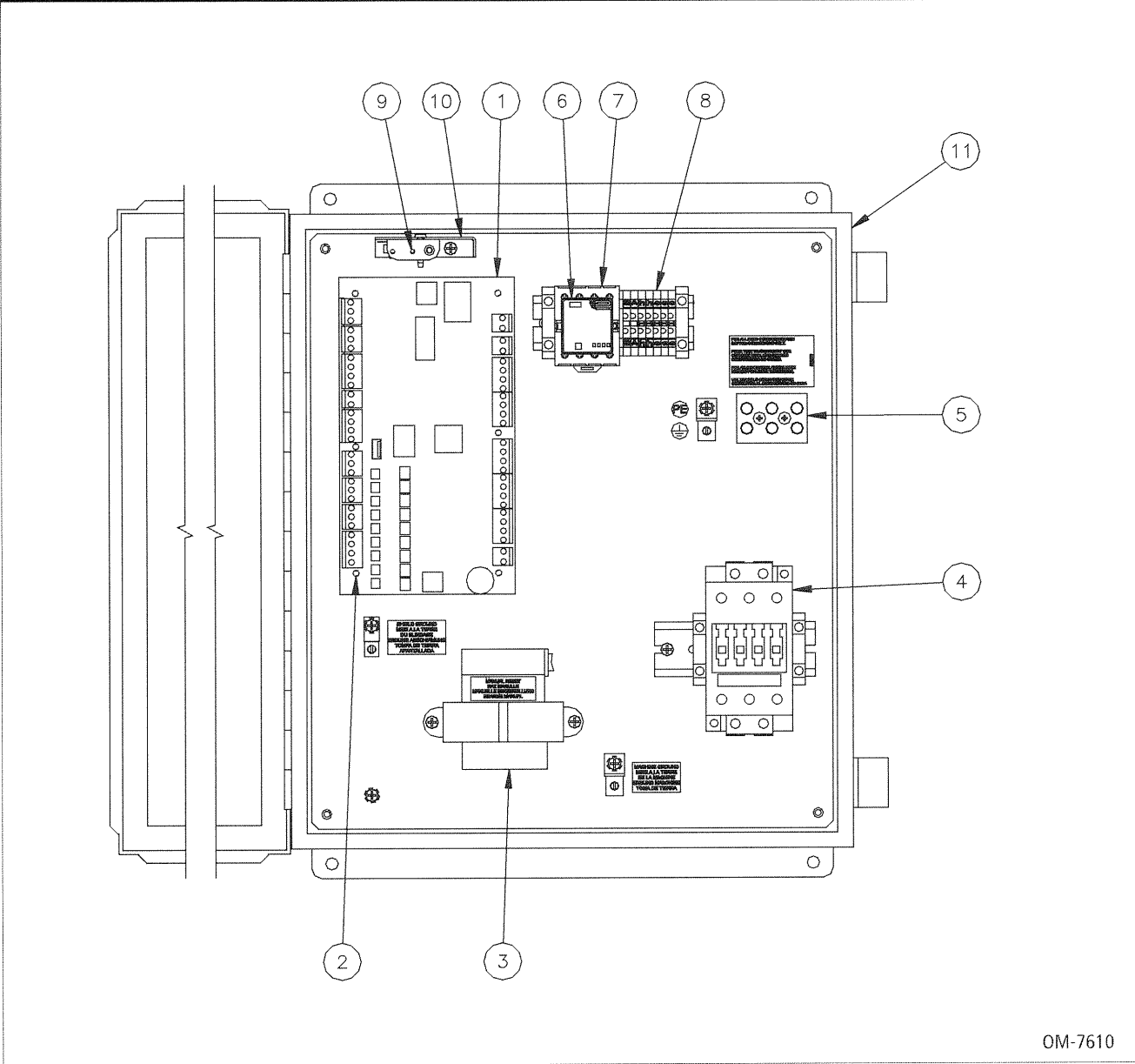
Item	Description	Qty	Part No.
1	Main controller, Vapor-logic4	1	408495-001
2	PC board support, locking	4	409591-004
3	Transformer, 600V, 24 VAC Sec, 75 VA *	1	408986
	Transformer, 277V, 24V Sec 75 VA *	1	408982
	Transformer, 120/208/240/480V 24V Sec *	1	408965-001
4	Contactor, 55A (Siemens) *	1	407010-002
	Contactor, 35A (Siemens) *	1	407010-001
5	Power block, 3 pole	1	408300-002
6	Relay, 24V DPDT, finder	1	407900-016
7	Relay socket, DPDT, without time delay	1	407900-019
8	Terminal, 20A, DIN rail mount	*	408252-001
9	Switch, door interlock, electric (optional) *	1	408470
10	Bracket, door interlock, small (optional)	1	165614
11	Fan, cooling, 24" (610 mm) leads	1	405800-054
12	SSR, 2 pole, Carlo Gavazzi, 600V	*	408677-004
	SSR, 2 pole, Carlo Gavazzi, 480V/50 Amp	*	408677-003
	SSR, 1 pole, Carlo Gavazzi, 480V/63 Amp	*	408677-005
	SSR, 1 pole, Carlo Gavazzi, 480V	*	408677-002
13	Enclosure, JIC, 20" x 20" x 7" (508 mm x 508 mm x 178 mm) *	1	407100-007
	Enclosure, NEMA-4, 20" x 20" N4-20206 (508 mm x 508 mm), (optional) *	1	408150-004

\* Specify humidifier model and serial numbers when ordering replacement parts.



### Replacement parts: CRUV subpanel with Vapor-logic4 and SSR options

Figure 50-1:  
CRUV subpanel with Vapor-logic4 and SSR option



OM-7610

## Replacement parts: CRUV subpanel with Vapor-logic4 and SSR options

**Table 51-1:  
CRUV subpanel with Vapor-logic4 and SSR option**

Item	Description	Qty	Part No.
1	Main controller, Vapor-logic4	1	408495-001
2	PC board support, locking	4	409591-004
3	Transformer, 600V, 24 VAC Sec, 75 VA *	1	408986
	Transformer, 277V, 24 VAC Sec, 75 VA *	1	408982
	Transformer, 120/208/240/480V 24V Sec *	1	408965-001
4	Contactor, 55A (Siemens) *	1	407010-002
	Contactor, 35A (Siemens) *	1	407010-001
5	Power block, 3 pole	1	408300-002
6	Relay, 24V DPDT, finder	1	407900-016
7	Relay socket, DPDT, without time delay	1	407900-019
8	Terminal, 20A, DIN rail mount	*	408252-001
9	Switch, door interlock, electric (optional)	1	408470
10	Bracket, door interlock, small (optional)	1	165614
11	Enclosure, JIC, 16" x 14" x 6" (406 mm x 356 mm x 152 mm) *	1	407100-005
	Enclosure, NEMA-4, 16" x 14" (406 mm x 356 mm), (optional) *	1	408150-003

\* Specify humidifier model and serial numbers when ordering replacement parts.