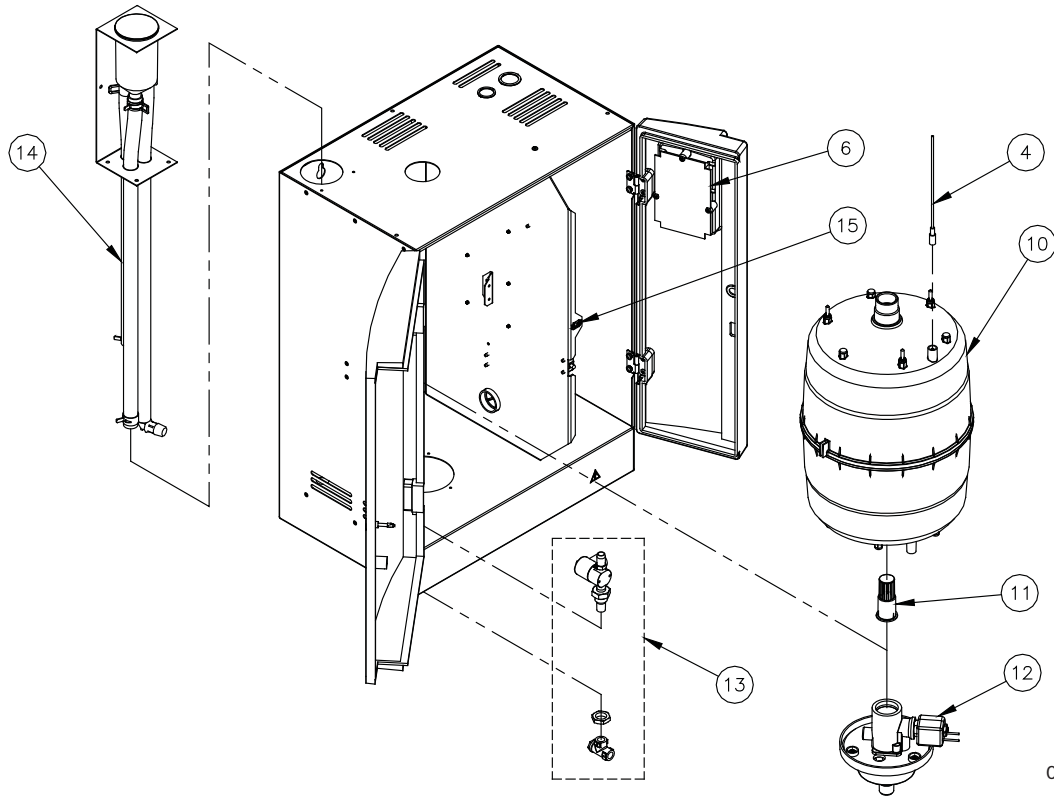
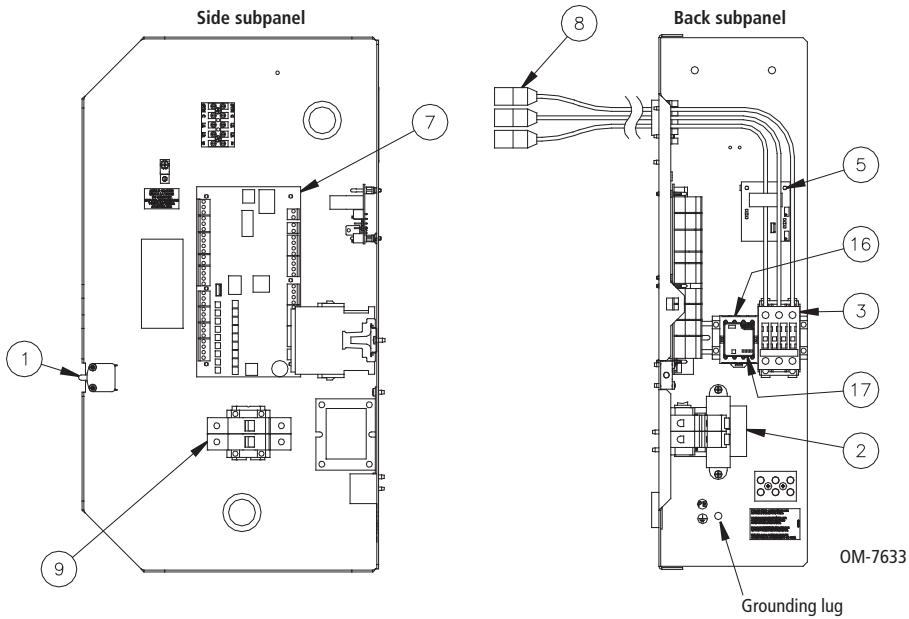


Replacement parts: XT humidifier models 5 through 100

Figure 54-1:
XT humidifier models 5 through 100 replacement parts



OM-7632



OM-7633

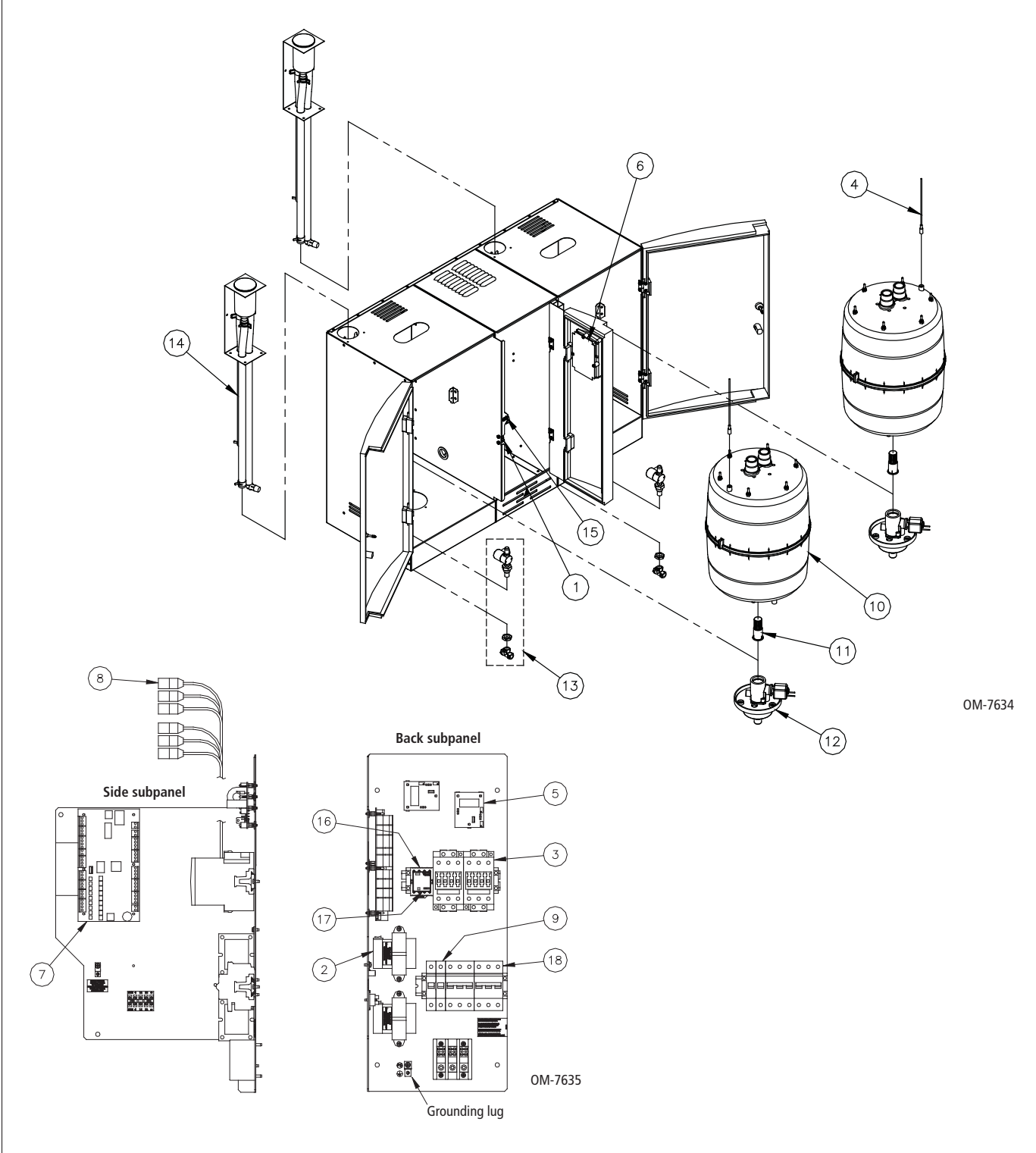
Replacement parts: XT humidifier models 5 through 100

**Table 55-1:
XT humidifier models 5 through 100 replacement parts**

Item	Description	Part No.
1	Switch, door interlock	530010-002
2	Transformer, 208/240/480 to 24 VAC	408965-001
	Transformer 277 to 24 VAC	408982
	Transformer, 600 to 24 VAC	408986
	Transformer, 230/400 to 24 VAC	408985
3	Contactor - 24 VAC - 35 A	407010-001
	Contactor - 24 VAC - 55 A	407010-002
4	Plug, max. water level sensor	530010-105
5	Board, current sensing, 208/240/277 V (XT-5 only)	530013-001
	Board, current sensing, 400/480 V	530013-002
	Board, current sensing, 600 V	530013-003
	Board, current sensing, 208/230/240/277 V	530013-004
6	Vapor-logic4 display board	408495-004
7	Vapor-logic4 main board	408495-001
8	Electrode wiring kit (plugs with wires: 1 red, 1 black, 1 white)	194625-001
9	Breaker, 1 pole, 0.5 A, 277/480 V, D curve	406775-010
10	Kit, Cylinder, XT-5/10, 120-277 V, 1 phase	194601-001
	Kit, Cylinder, XT-10, 480 V, 1 phase	194601-002
	Kit, Cylinder, XT-10, 600 V, 1 phase	194601-003
	Kit, Cylinder, XT-10, 208/240 V, 3 phase	194601-004
	Kit, Cylinder, XT-10, 400 V, 3 phase	194601-005
	Kit, Cylinder, XT-10, 480 V, 3 phase	194601-006
	Kit, Cylinder, XT-10, 600 V, 3 phase	194601-007
	Kit, Cylinder, XT-20, 208-277 V, 1 phase	194601-008
	Kit, Cylinder, XT-20, 480 V, 1 phase	194601-009
	Kit, Cylinder, XT-20, 600 V, 1 phase	194601-010
	Kit, Cylinder, XT-20, 208-277 V, 3 phase	194601-011
	Kit, Cylinder, XT-20, 400 V, 3 phase	194601-012
	Kit, Cylinder, XT-20, 480 V, 3 phase	194601-013
	Kit, Cylinder, XT-20, 600 V, 3 phase	194601-014
	Kit, Cylinder, XT-30, 208/240 V, 3 phase	194601-015
	Kit, Cylinder, XT-30, 400 V, 3 phase	194601-016
	Kit, Cylinder, XT-30, 480 V, 3 phase	194601-017
	Kit, Cylinder, XT-30, 600 V, 3 phase	194601-018
	Kit, Cylinder, XT-50, 208/240 V, 3 phase	194601-019
	Kit, Cylinder, XT-50, 400 V, 3 phase	194601-020
	Kit, Cylinder, XT-50, 480/600 V, 3 phase	194601-022
	Kit, Cylinder, XT-75, 400 V, 3 phase	194601-023
	Kit, Cylinder, XT-75, 480/600 V, 3 phase	194601-025
	Kit, Cylinder, XT-100, 400 V, 3 phase	194601-026
Kit, Cylinder, XT-100, 480/600 V, 3 phase	194601-028	
11	Strainer, cylinder	531006
12	Drain valve assembly (see parts in Figure 52-1)	194610-001
13	Fill valve assembly XT-5/10	194622-001
	Fill valve assembly XT-20/30/50	194622-002
	Fill valve assembly XT-75/100/150/200	194622-003
14	Fill cup extension kit (see parts in Figure 11-1)	194605-100
15	Clip, quarter-turn fastener	700458-003
16	Relay socket	407900-019
17	Relay, DPDT, Finder	407900-016

Replacement parts: XT humidifier models 150 and 200

Figure 56-1:
XT humidifier models 150 and 200 replacement parts



Replacement parts: XT humidifier models 150 and 20

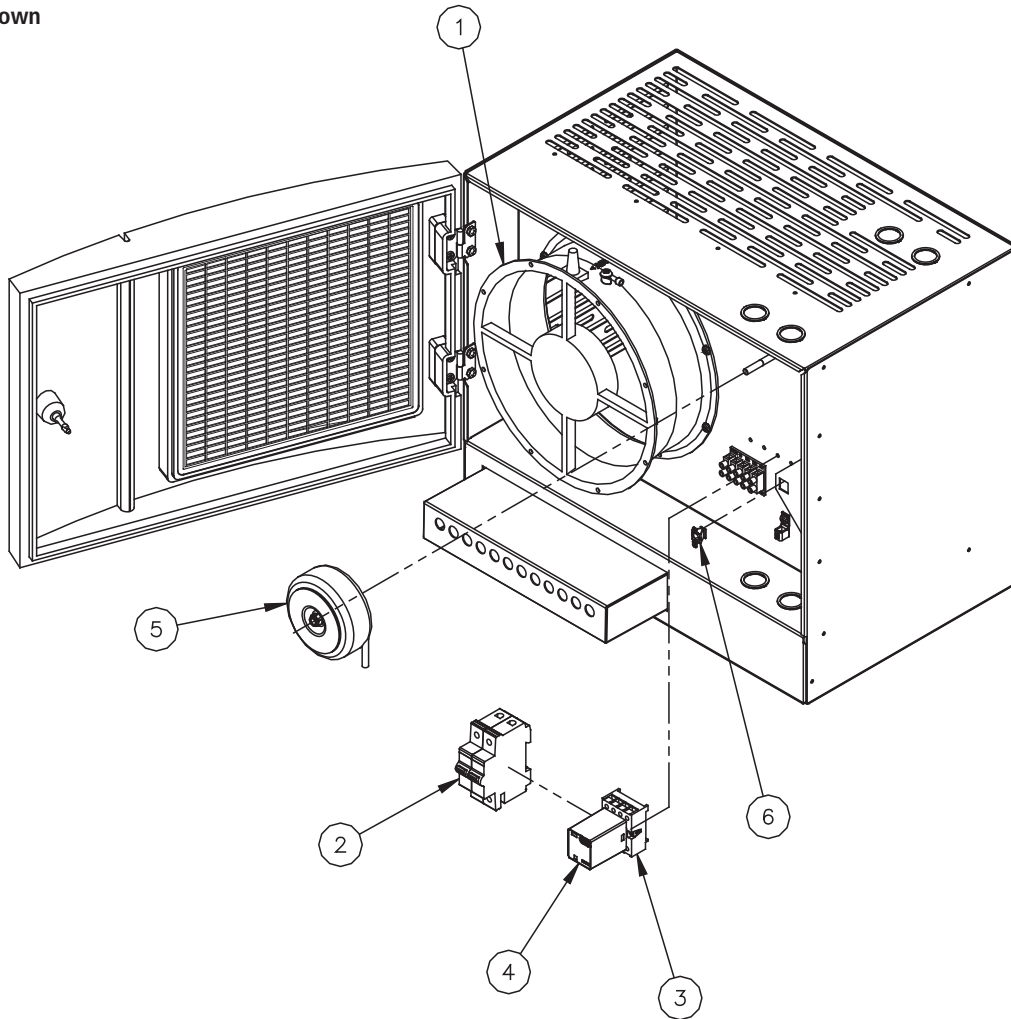
**Table 57-1:
XT humidifier models 150 and 200 replacement parts**

Item	Description	Part No.
1	Switch, door interlock	530010-002
2	Transformer, 208/240/480 to 24 VAC	408965-001
	Transformer, 600 to 24 VAC	408986
	Transformer, 230/400 to 24 VAC	408985
3	Contactactor - 24 VAC - 35 A	407010-001
	Contactactor - 24 VAC - 55 A	407010-002
4	Plug, max. water level sensor	530010-105
5	Board, current sensing, 400/480 V	530013-002
	Board, current sensing, 600 V	530013-003
6	Vapor-logic4 display board	408495-004
7	Vapor-logic4 main board	408495-001
8	Electrode wiring kit (plugs with wires: 1 red, 1 black, 1 white)	194625-001
9	Breaker, 1 pole, 0.5 A, 277/480 V, D curve	406775-010
10	Kit, Cylinder, XT-75, 400 V, 3 phase (order 2 for XT-150)	194601-023
	Kit, Cylinder, XT-75, 480/600 V, 3 phase (order 2 for XT-150)	194601-025
	Kit, Cylinder, XT-100, 400 V, 3 phase (order 2 for XT-200)	194601-026
	Kit, Cylinder, XT-100, 480/600 V, 3 phase (order 2 for XT-200)	194601-028
11	Strainer, cylinder	531006
12	Drain valve assembly (see parts in Figure 52-1)	194610-001
13	Fill valve assembly XT-75/100/150/200	194622-003
14	Fill cup extension kit (see parts in Figure 11-1)	194605-100
15	Clip, quarter-turn fastener	700458-003
16	Relay socket	407900-019
17	Relay, DPDT Finder	407900-016
18	Breaker, 40 A	406776-040
	Breaker, 50 A	406776-050
	Breaker, 63 A	406776-063

Replacement parts: Steam blowers XTSB-20 and XTSB-50

Figure 58-1:
XTSB-20 and XTSB-50 replacement parts

XTSB-50 shown



OM-7638

Replacement parts: Steam blowers XTSB-20 and XTSB-50

**Table 59-1:
XTSB-20 and XTSB-50 replacement parts**

Item	Description	Part No.
1	Fan (XTSB-20)	407109-002
	Fan (XTSB-50)	306376
2	Breaker, 0.5A, 480V	406775-010
3	Finder relay socket	407900-019
4	Finder relay	407900-016
5	Transformer, XTSB-20, 208/240/277V	408963-001
	Transformer, XTSB-20, 480V	408963-002
	Transformer, XTSB-20, 600V	408963-003
	Transformer, XTSB-50, 208/240/277V	408963-011
	Transformer, XTSB-50, 480V	408963-012
	Transformer, XTSB-50, 600V	408963-013
	Transformer, XTSB-20/50, 230/400V	408963-014
6	Clip, quarter-turn fastener	700458-003